



# BRIEF INFORMATION

## Rain/light sensor

- Fourth generation of the long-established rain sensors from HELLA
- Five functions in one product: Rain, light, solar and humidity measurement as well as adjustment of the light intensity on the head-up display
- Optimised design – extremely compact package space

## PRODUCT FEATURES

This new sensor offers the user five functions in one product:

### **Rain sensor**

The rain sensor is used to detect different rain conditions in the sensor area and controls the front windshield wiper accordingly. Manual driver intervention is no longer required.

### **Light sensor**

As a light sensor it controls the activation and deactivation of the low beam light in different lighting conditions or in special situations such as in tunnels.

### **Head-up display**

When used for the head-up display, the sensor records the brightness immediately surrounding the vehicle and adjusts the light intensity on the display depending on the current lighting conditions.

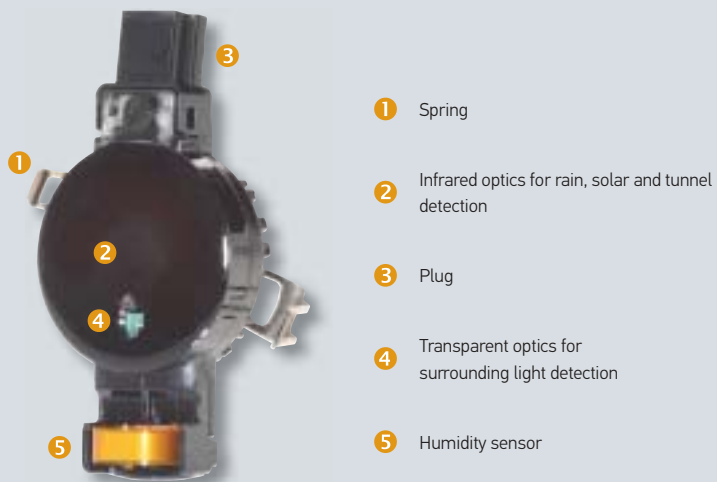
### **Solar sensor**

As a solar sensor it measures the insolation and supports the air-conditioning control.

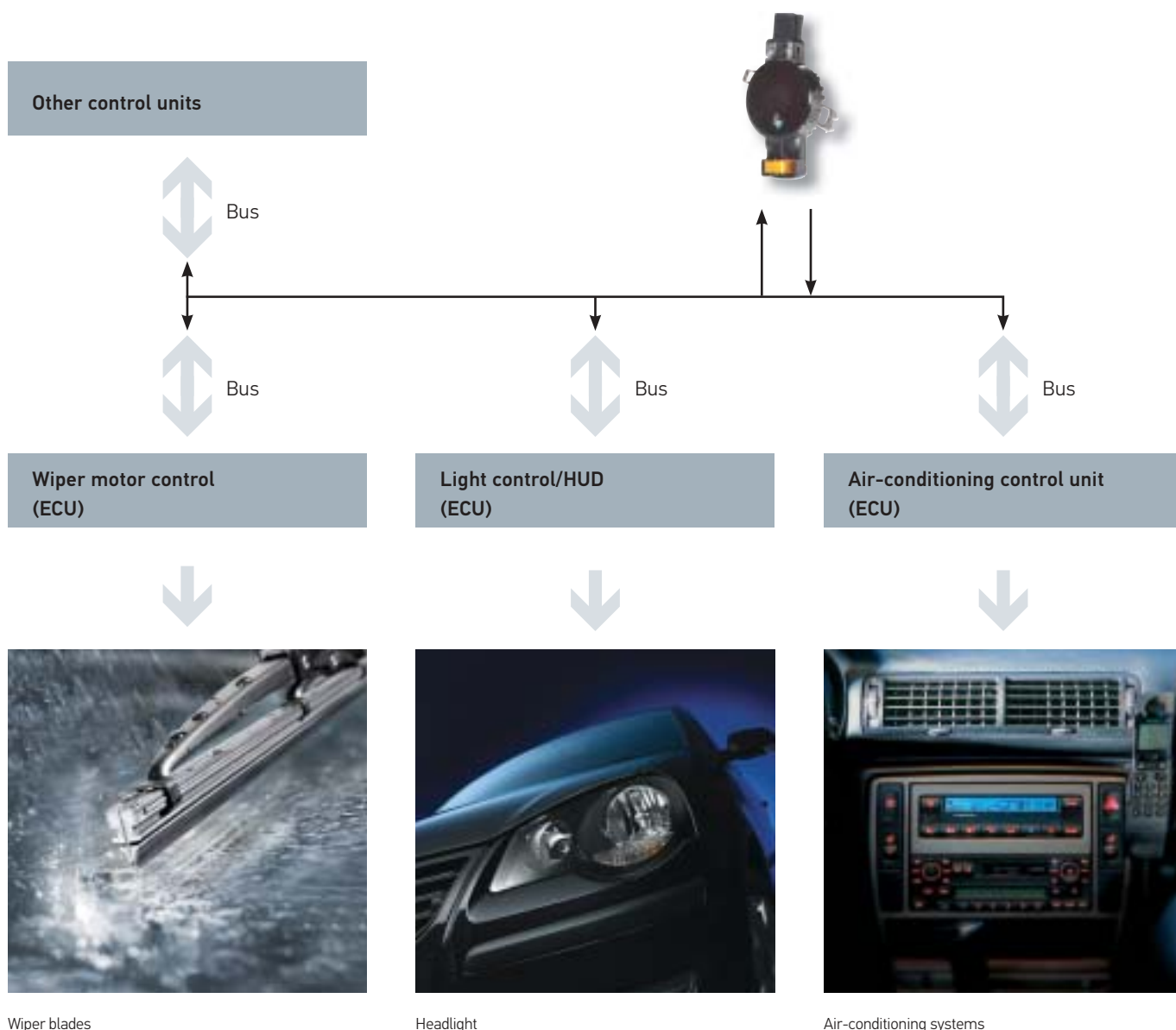
### **Humidity measurement**

The humidity measurement is used to control the air conditioning control unit for the air conditioning in the vehicle interior, such as automatic ventilation of the windshield.

# INTERFACES/FUNCTIONAL DESCRIPTION



The system overview image illustrates how the sensor can communicate with other system components in the vehicle via the LIN interface. As a result the sensor is activated by the master control unit and supplied with voltage. It provides the system with information but does not directly interfere with the system.



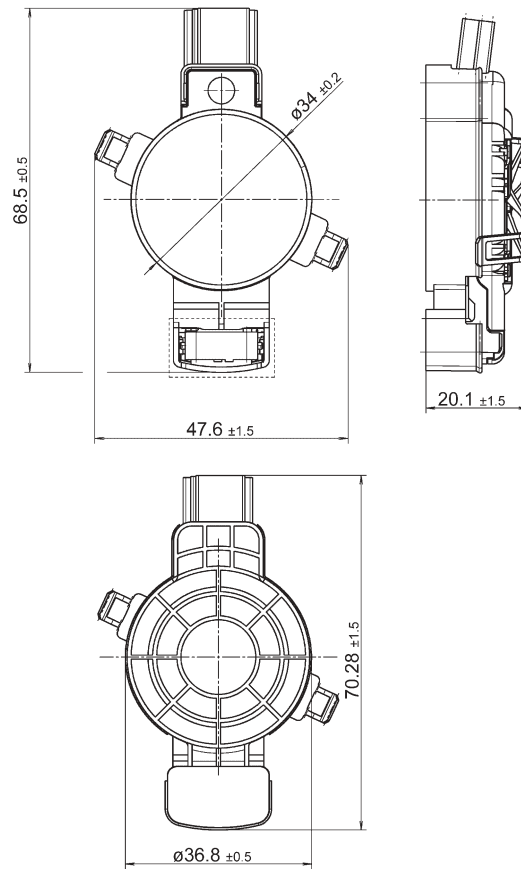
# TECHNICAL DETAILS

## Technical data

Supply voltage*	+9.0 V ... +16 V (13.5 V nominal)
Overvoltage	24 V
Operating temperature	-40°C to +85°C
Storage temperature	-40°C to +100°C
Weight	< 17 g
Current consumption	< 50 mA
Communication interface	LIN 1.3 / 2.0 / 2.1 - LIN SAEJ2602

\* Other versions on request

## Technical drawing



# APPLICATION EXAMPLE




**HELLA KGaA Hueck & Co.**

Rixbecker Straße 75  
59552 Lippstadt, Germany  
Tel.: +49 2941 38-0  
Fax: +49 2941 38-7133  
Internet: [www.hella.com](http://www.hella.com)

© HELLA KGaA Hueck & Co., Lippstadt  
922 999 133-915 KB/04.13/0.1  
Printed in Germany

## RANGE OVERVIEW

Product image	Designation	Part number
	Rain/light sensor	6PW 011 357-017

**Fixing element accessories (not included in the scope of supply)**

Designation	Part number
Metal	On request
Plastic	On request